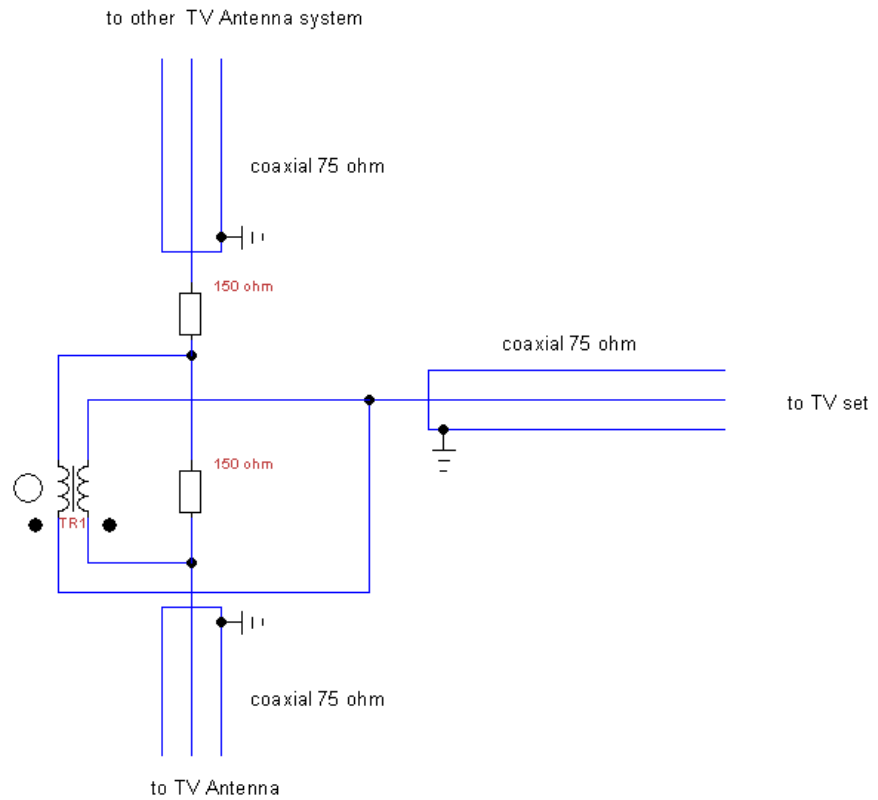


# Antenna splitter



TR1

2 x 6 coils WWE (DNE) 0,25

Ferrite toroid 10 mm AL 49

Toroid with diameter 10 mm has 6 coils of winding wire in enamel wrapped in bifilar

